



# CULTEC HVLV® SFCX2 FEED CONNECTOR

HVLV® SFCx2 Feed Connectors may be used to create an internal manifold by inserting them into the side portals of the CULTEC stormwater chamber. The HVLV® SFCx2 Feed Connector may be used with Contactor® 100HD chambers. They have a larger flow capacity than 6" (150 mm) diameter pipe.



Size (L x W x H)	19.7" x 12" x 7.6" 500 mm x 305 mm x 194 mm
Installed Length (exposed)	For Contactor 100HD: 4" typ. For Contactor 100HD: 102 mm typ.
Chamber Storage	0.29 ft <sup>3</sup> /ft 0.03 m <sup>3</sup> /m
Compatible Model	Contactor 100HD

## HVLV SFCx2 Feed Connector Bare Chamber Storage Volumes

Elevation		Incremental Storage Volume		Cumulative Storage	
in.	mm	ft <sup>3</sup> /ft	m <sup>3</sup> /m	ft <sup>3</sup> /ft	m <sup>3</sup> /m
7.6	193	0.001	0.000	0.294	0.027
7	178	0.008	0.001	0.293	0.027
6	152	0.031	0.003	0.285	0.026
5	127	0.041	0.004	0.254	0.024
4	102	0.045	0.004	0.213	0.020
3	76	0.048	0.004	0.168	0.016
2	51	0.050	0.005	0.120	0.011
1	25	0.070	0.007	0.070	0.070
<b>Total</b>		<b>0.294</b>	<b>0.027</b>	<b>0.294</b>	<b>0.027</b>

Calculations are based on ft<sup>3</sup>/ft (m<sup>3</sup>/m).  
Multiply by the installed length (exposed) to calculate storage per unit.

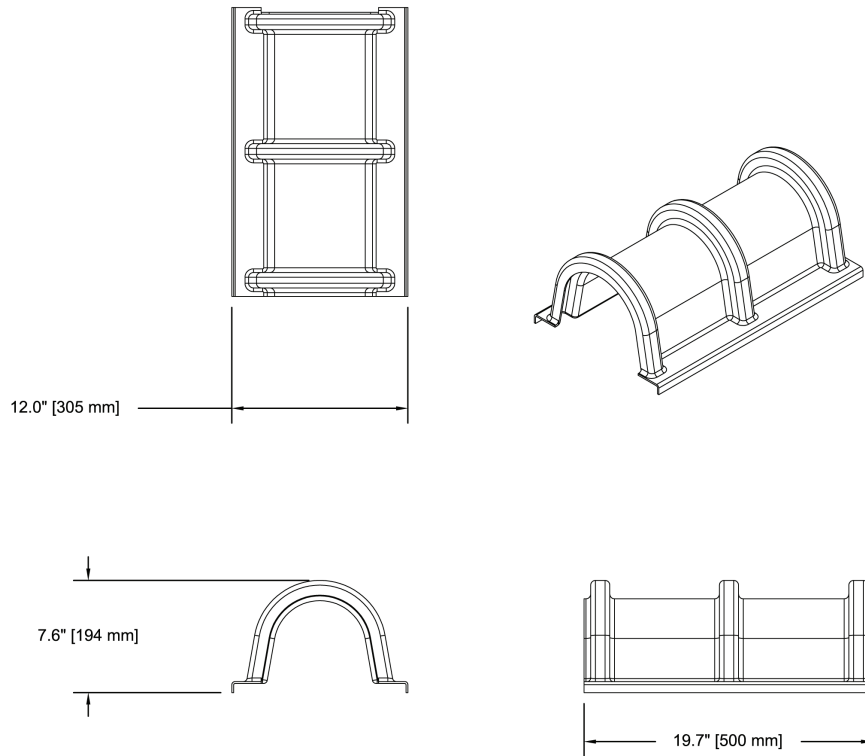


Shown: CULTEC HVLV SFCx2 Feed Connector inserted into side portals of CULTEC chamber.

For more information, contact CULTEC at (203) 775-4416 or visit [www.cultec.com](http://www.cultec.com).



## Three View Drawing



## CULTEC HVLV<sup>®</sup> SFCx2 Feed Connector Specifications

### GENERAL

CULTEC HVLV<sup>®</sup> SFCx2 Feed Connectors are designed to create an internal manifold for CULTEC Contactor<sup>®</sup> 100HD stormwater chambers.

### CHAMBER PARAMETERS

1. The chambers shall be manufactured in the U.S.A. by CULTEC, Inc. of Brookfield, CT (cultec.com, 203-775-4416).
2. The chamber shall be vacuum thermoformed of polyethylene with a black interior and blue exterior
3. The chamber will be arched in shape.
4. The chamber will be open-bottomed.
5. The nominal chamber dimensions of the CULTEC HVLV<sup>®</sup> SFCx2 Feed Connector shall be 7.6 inches (194 mm) tall, 12 inches (305 mm) wide and 19.7 inches (500 mm) long.
6. The nominal storage volume of the HVLV<sup>®</sup> SFCx2 Feed Connector will be 0.294 ft<sup>3</sup> / ft (0.027 m<sup>3</sup> / m) - without stone.
7. The HVLV<sup>®</sup> SFCx2 Feed Connector chamber shall have 3 corrugations.
8. The HVLV<sup>®</sup> SFCx2 Feed Connector must be formed as a whole chamber having two open end walls and having no separate end plates or separate end walls. The unit will fit into the side portals of the Contactor<sup>®</sup> 100HD stormwater chamber and act as cross feed connections creating an internal manifold.
9. The chamber shall be manufactured in an ISO 9001:2015 certified facility.