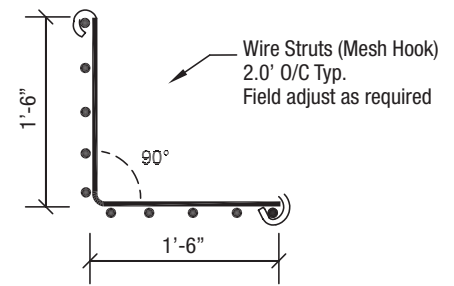
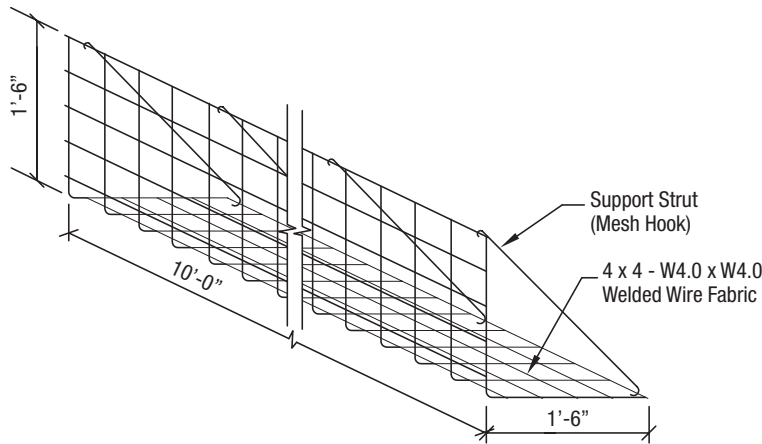


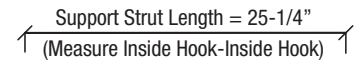
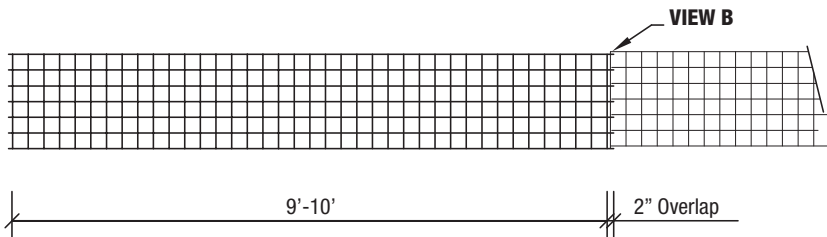
GeoSteel Product Data

Geostar welded wire forms are used as a facing element to construct vegetated, rock-filled, and temporary wall structures and are constructed of W4 steel and are available in raw steel, electro-galvanized, and hot-dipped galvanized.

Welded Wire Form Detail



VIEW B



SUPPORT STRUT (MESH HOOK)

NOTES

1. Slope facing to consist of prefabricated Black Steel or Galvanized Steel WWF, 4x4-W4.0xW4.0 forms.
2. All forms and struts (Mesh Hooks) will be fabricated in Black Steel or Galvanized Steel Wire.
3. Overall length of wire forms is 10'-0". Effective constructed width is 9'-10" with 2" overlapping at ends.
4. Hot Dipped Galvanized Steel WWF are galvanized in accordance with ASTM A123.

Updated as of July 2020

Disclaimer: This Product Data Sheet is the sole and exclusive property of Geostar Technologies LLC ("Geostar"). The Product Data Sheet shall not be reproduced, disseminated, or otherwise used in any way, except in connection with the purchase of Geostar HP Products (including, but not limited to the HP product line), without the express written consent of Geostar. Geostar assumes no liability for the accuracy or completeness of this information or for the ultimate use by the purchaser. Geostar disclaims any and all express, implied, or statutory standards, warranties or guarantees, including without limitation any implied warranty as to merchantability or fitness for a particular purpose or arising from a course of dealing or usage of trade as to any equipment, materials, or information furnished herewith. This document should not be construed as engineering advice.