

DuraWeld Custom Gabions

Materials

Wire Mesh

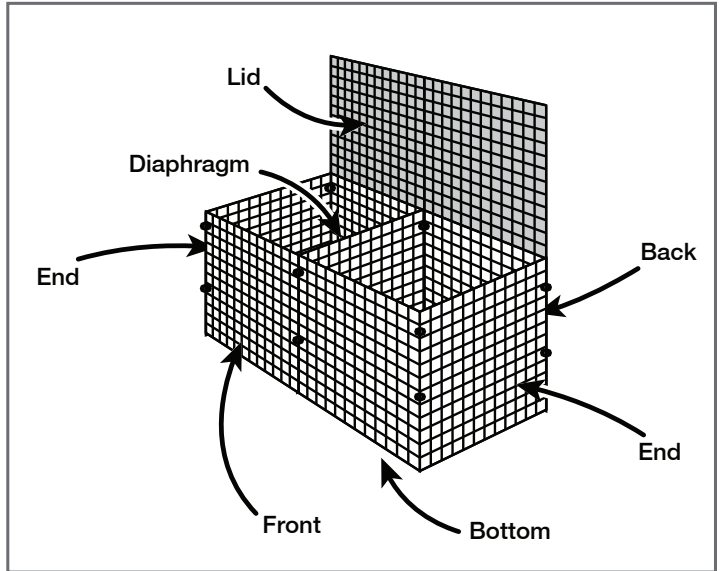
Opening	3/4" to 8"
Orientation	Square or Rectangular
Wire Diameter	13 gauge to 4 gauge
Material/Finish	Raw Steel
	Galvanized Before Weld
	Galvanized After Weld
	Galfan
	Grade 304 SS
	Grade 316L SS

Panel Sizing

Length	6" - 12'
Width	6" - 6' ²

Accessories (based on mesh type and gabion size)

Spirals, Lacing Wire, Stiffeners, Hog Rings, HR Guns



Fabrication

GabionSupply custom gabions are manufactured as individual panels and shipped flat on pallets for full assembly on site. Custom gabion length width and height can be specified in even mesh space increments. Where the length of the gabion exceeds the width, the length is divided equally into cells using diaphragm panels so that each cell is no greater than one cubic yard. Each gabion is supplied with enough accessories to completely assemble and install, with minimal tools required. The accessories included may vary depending on the material type, mesh spacing, and quantity. See gabion and mattress installation guide for details. In addition, all of our gabions are made in the USA.

Standard Custom Gabion Sizes			
Size	Cells	Capacity (cu. yds.)	
3' x 3' x 3'	1	1	
6' x 3' x 3'	2	2	
9' x 3' x 3'	3	3	
12' x 3' x 3'	4	4	
3' x 3' x 1.5'	1	0.5	
6' x 3' x 1.5'	2	1	
9' x 3' x 1.5'	3	1.5	
12' x 3' x 1.5'	4	2	
3' x 3' x 1'	1	0.33	
6' x 3' x 1'	2	0.66	
9' x 3' x 1'	3	1	
12' x 3' x 1'	4	1.33	

Custom sizes available upon request.

For more information about our other Gabions & Gabion Mattresses, visit: <https://gabionsupply.com>